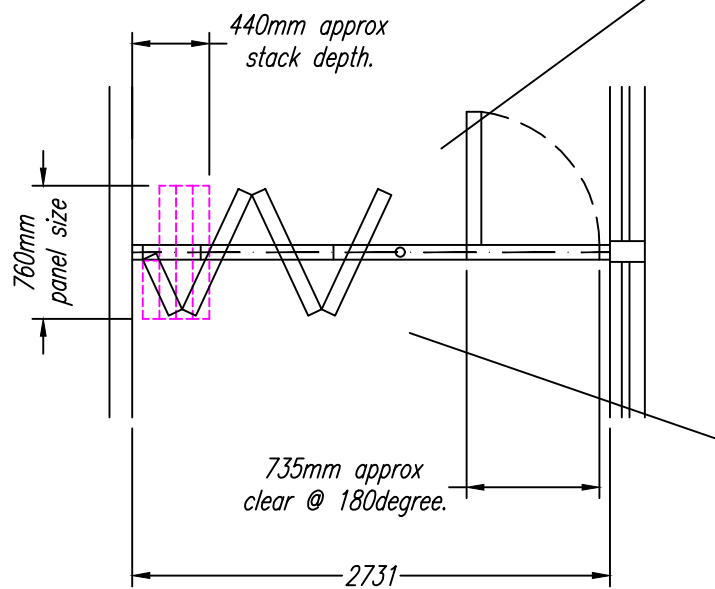


WALL A:  
 4 PANELS CONSISTING OF:  
 1 X PASSDOOR @ 760mm  
 2 X BASIC @ 760mm  
 1 X HALF PANEL @ 333mm

Meeting Room R0.09



Meeting Room R0.09

Pass Door must remain connected (Magnetic Catches) until all panels are fully extended and locked into place.

Floor level to be within 4mm. Any making good by others.

Project:		Revisions:	
Product: MG200-S		DW2820	
Configuration: Centrefold, 1 wing of 2 full panels, 1 door panel and 1 half panel.			
Finish: Duhsopan LP Laminate - H142 FS			
Sound Reduction: 46dB (lab value)	Total Weight: 290kgs approx		
Ironmongery: Latch and Dish Handles	Drawing No.: CM697-1-A		
Scale: N.T.S.	Date: 10.11.20	Drawn By: KN	Issue: A

Unit 15A Highway Farm  
 Horsley Road  
 Cobham, Surrey  
 KT11 3JZ  
 01932 918338  
 sales@modernglide.co.uk