

MG400

Straight Sliding Doors

The MG400 Series is the perfect solution to create a forward thinking environment that will impress clients and guests. Our straight sliding acoustic door remains out of sight when stacked creating a 'clutter-free' look to the environment.

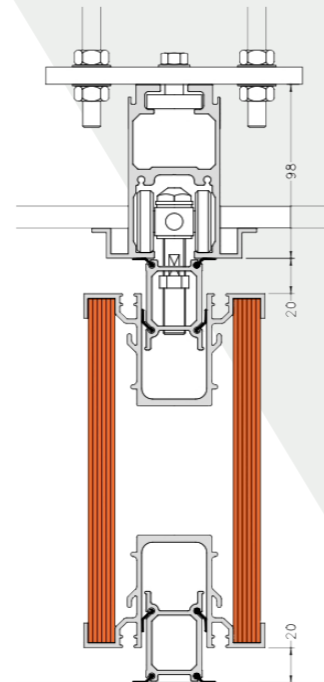
Additionally, for practicality purposes, the MG400 also has maximum opening space meaning that it provides the easiest access to your surroundings.

Another benefit to our straight sliding doors is that they can be top-hung or floor-supported, meaning we are able to cater for your space, whatever your structural circumstances.

The MG400 straight slider can also be used as a pocket door and stack into a recess opening to create a clear open space. The functionality that we can provide is endless.

Key Facts:

- Acoustic reduction from 37dB to 42dB
- Top-hung or floor-supporting
- Height up to 4,000mm
- Melamine and veneer finishes
- Door ironmongery as standard
- Inline or pocket stacking



MG400	
Panel Thickness	85 mm
Min. Panel Width	600 mm
Max Panel Width	1200 mm
Max Panel Height	4000 mm
Acoustic Rating	38 dB to 42 db

