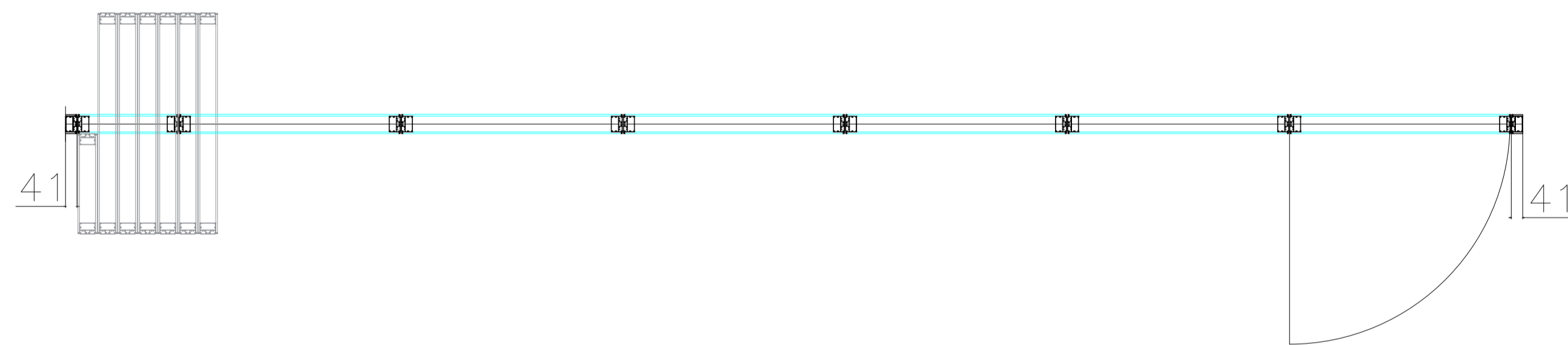
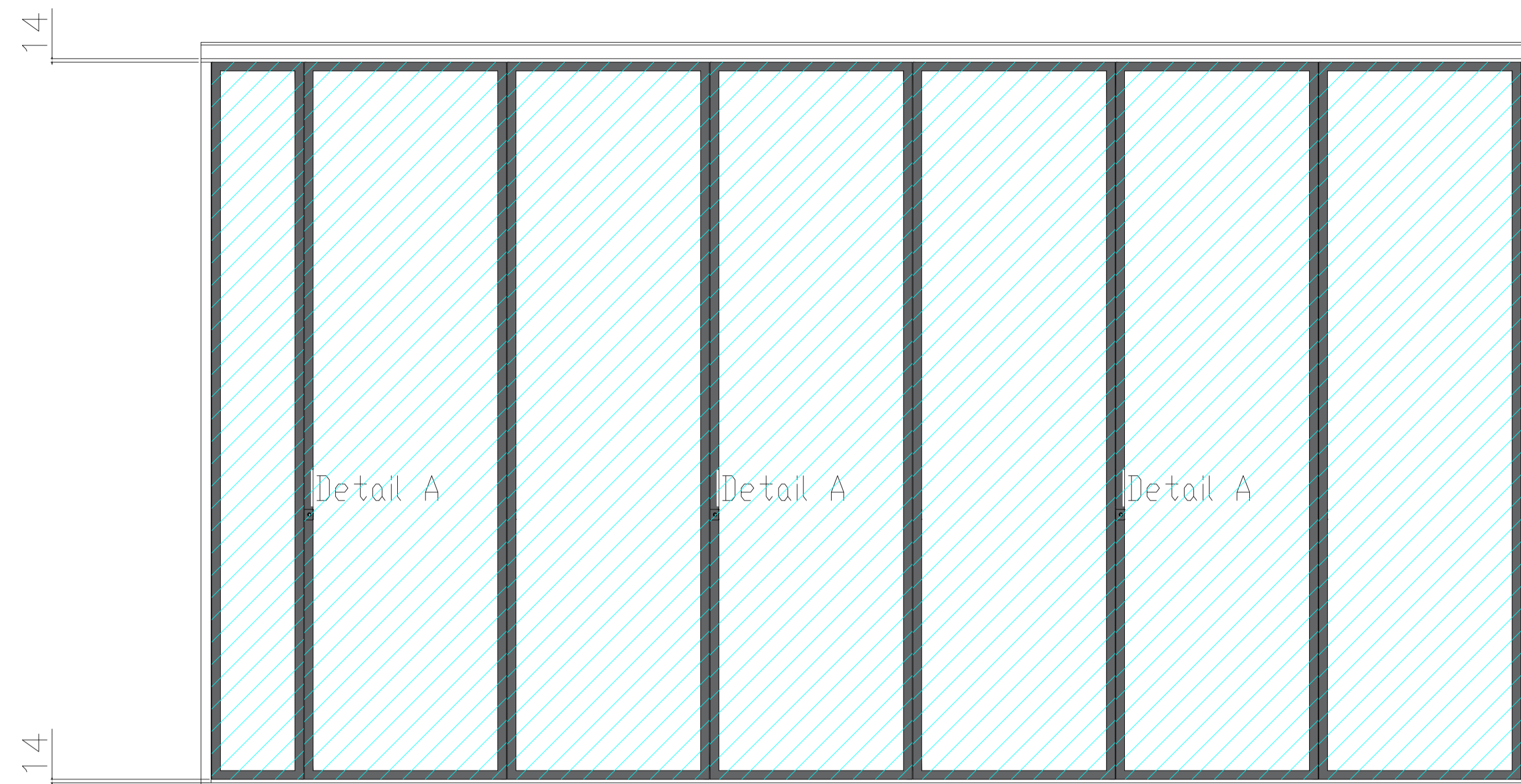


Centre Folding - Single Wing



PP20.88

VERSION 1 DATE: 2020-02-11

DRAWN BY: Aran Meadows

STATUS: LAYOUT APPROVAL



No. SETS: *x1*

OPERATION:	TYPE:
MANUAL <input checked="" type="checkbox"/>	<input type="checkbox"/> SOLID
SEMI-AUTO <input type="checkbox"/>	<input checked="" type="checkbox"/> GLASS
FULL-AUTO <input type="checkbox"/>	<input type="checkbox"/> MULTI

SUSPENSION:

SINGLE POINT TRACK	<input type="checkbox"/>
TWIN POINT TRACK	<input type="checkbox"/>
FLOOR TRACK	<input checked="" type="checkbox"/>

PANEL UNITS	QT.
STANDARD PANEL	<input type="text" value="2"/>
PANEL W/ MECHANISM GLAZED	<input type="text" value="3"/>
DOOR PANEL	<input type="text" value="1"/>
START-UP PANEL	<input type="text" value="1"/>
OTHER: SPECIFY	<input type="text"/>

PANEL FINISH: DOUBLE GLASS 6 MM

TRACK FLOOR FINISH: NATURAL ANODIZED

ALUMINIUM PROFILES FINISH: RAL

HEIGHT - FLOOR TO FALSE CEILING:

WEIGHT:

UNITS:
mm

PP20.88

VERSION 1 DATE: 2020-02-11

DRAWN BY: Aran Meadows

STATUS: LAYOUT APPROVAL



No. SETS: *x1*

OPERATION:

- MANUAL
- SEMI-AUTO
- FULL-AUTO

TYPE:

- SOLID
- GLASS
- MULTI

SUSPENSION:

- SINGLE POINT TRACK
- TWIN POINT TRACK
- FLOOR TRACK

PANEL UNITS QT.

STANDARD PANEL	5
PANEL W/ MECHANISM GLAZED	7
DOOR PANEL	<input type="checkbox"/>
START-UP PANEL	<input type="checkbox"/>
OTHER: SPECIFY	<input type="checkbox"/>

PANEL FINISH: DOUBLE GLASS 6 MM RAL 7016

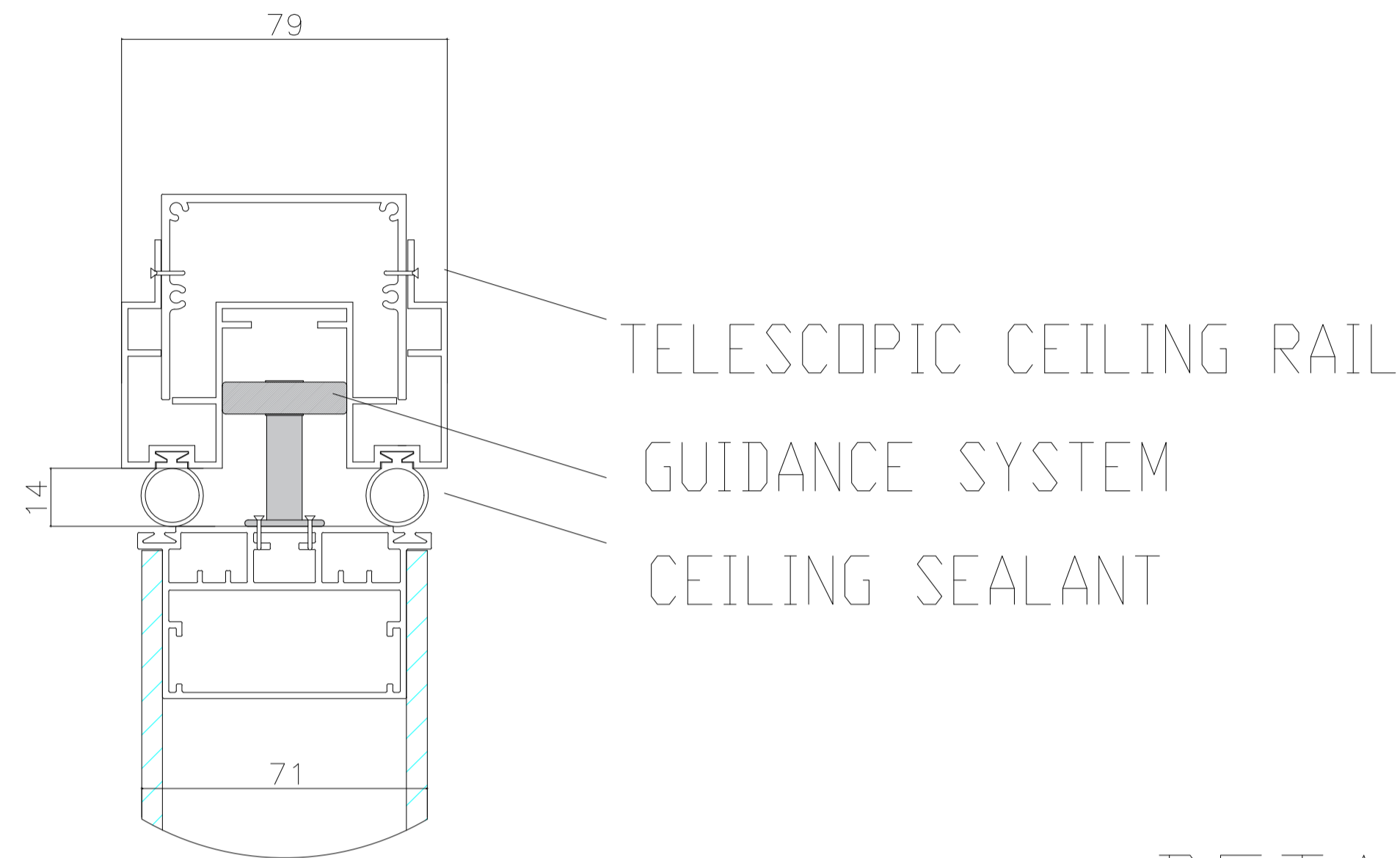
TRACK FLOOR FINISH: NATURAL ANODIZED

ALUMINIUM PROFILES FINISH: RAL 7016

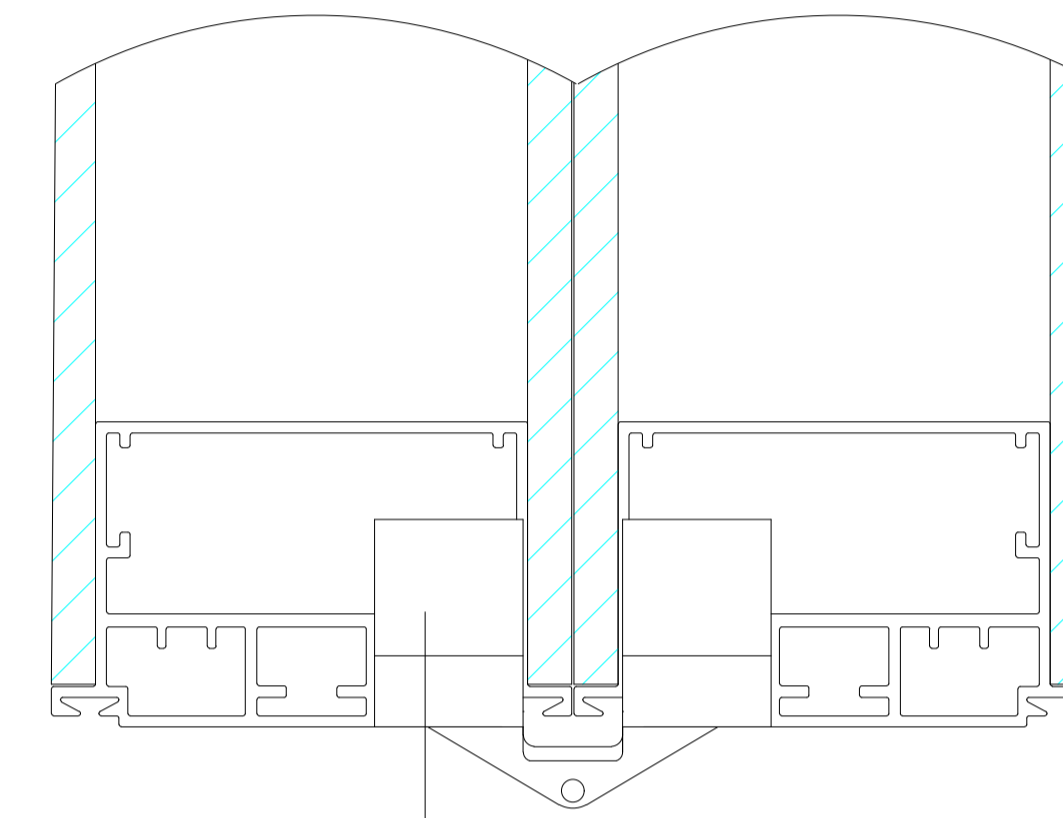
HEIGHT - FLOOR TO FALSE CEILING: 2990 MM

WEIGHT: 689KG

UNITS:
mm

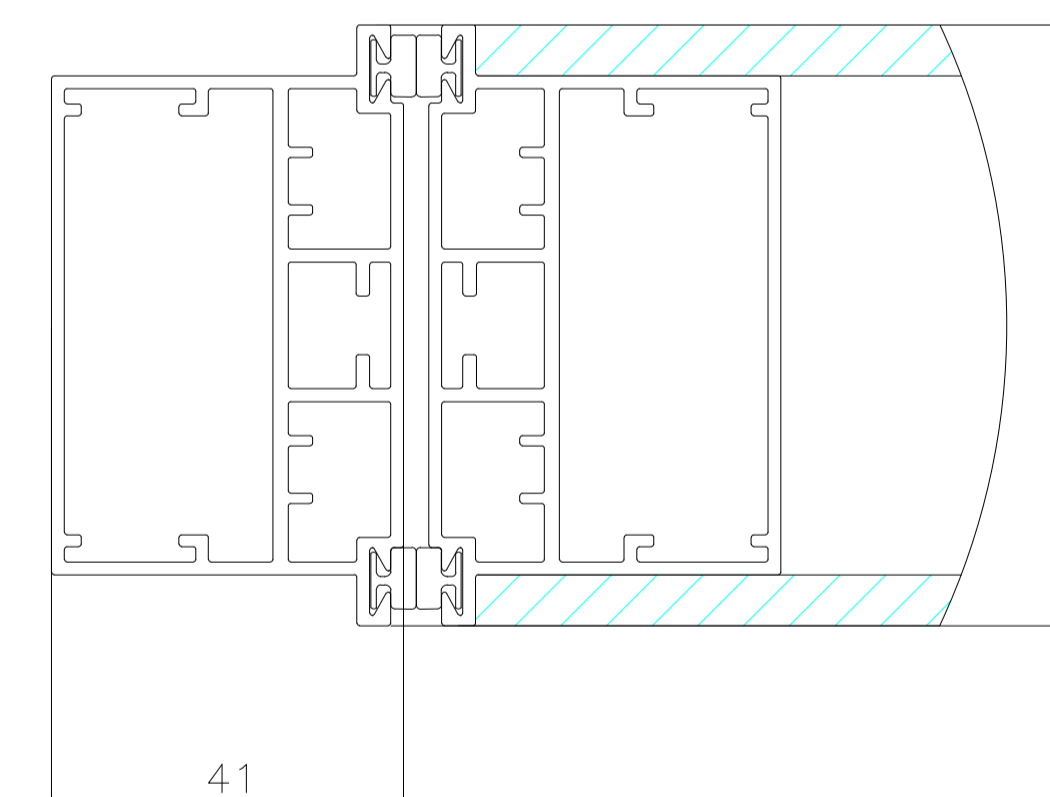
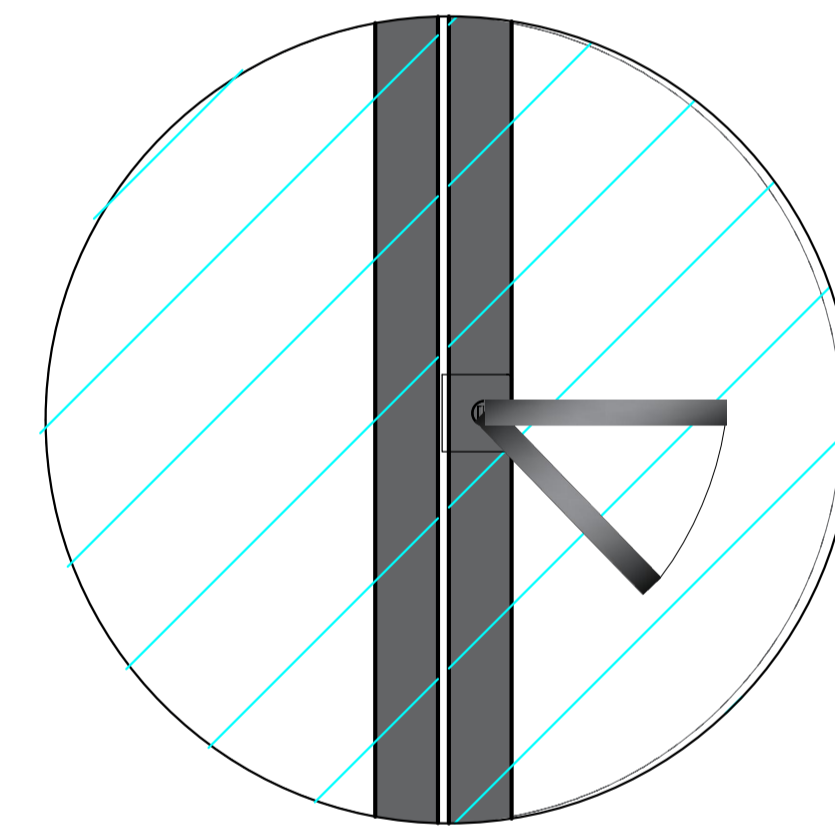


TELESCOPIC CEILING RAIL
GUIDANCE SYSTEM
CEILING SEALANT

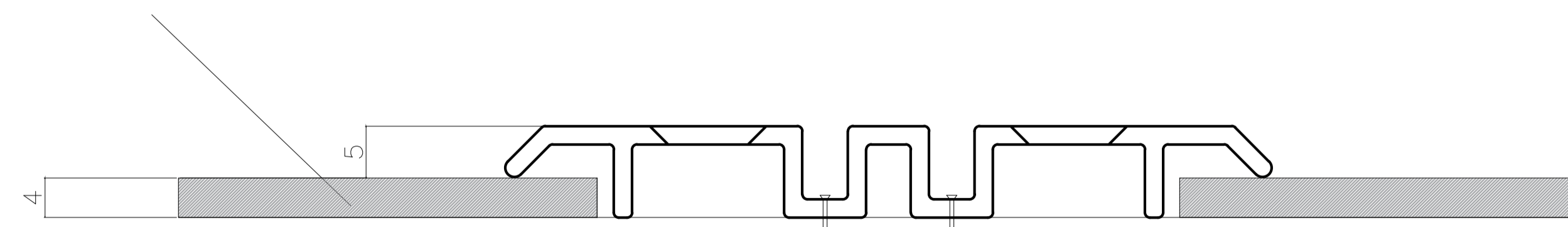
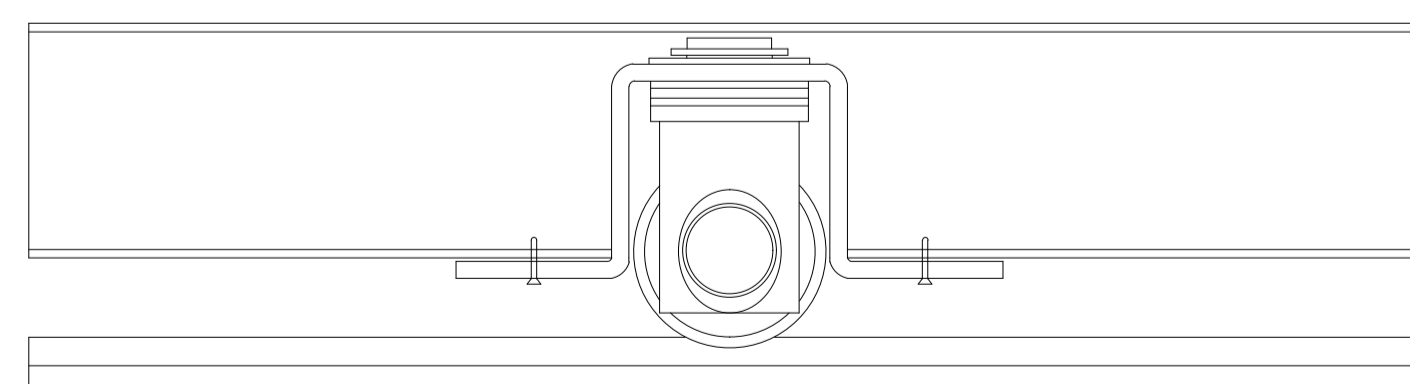
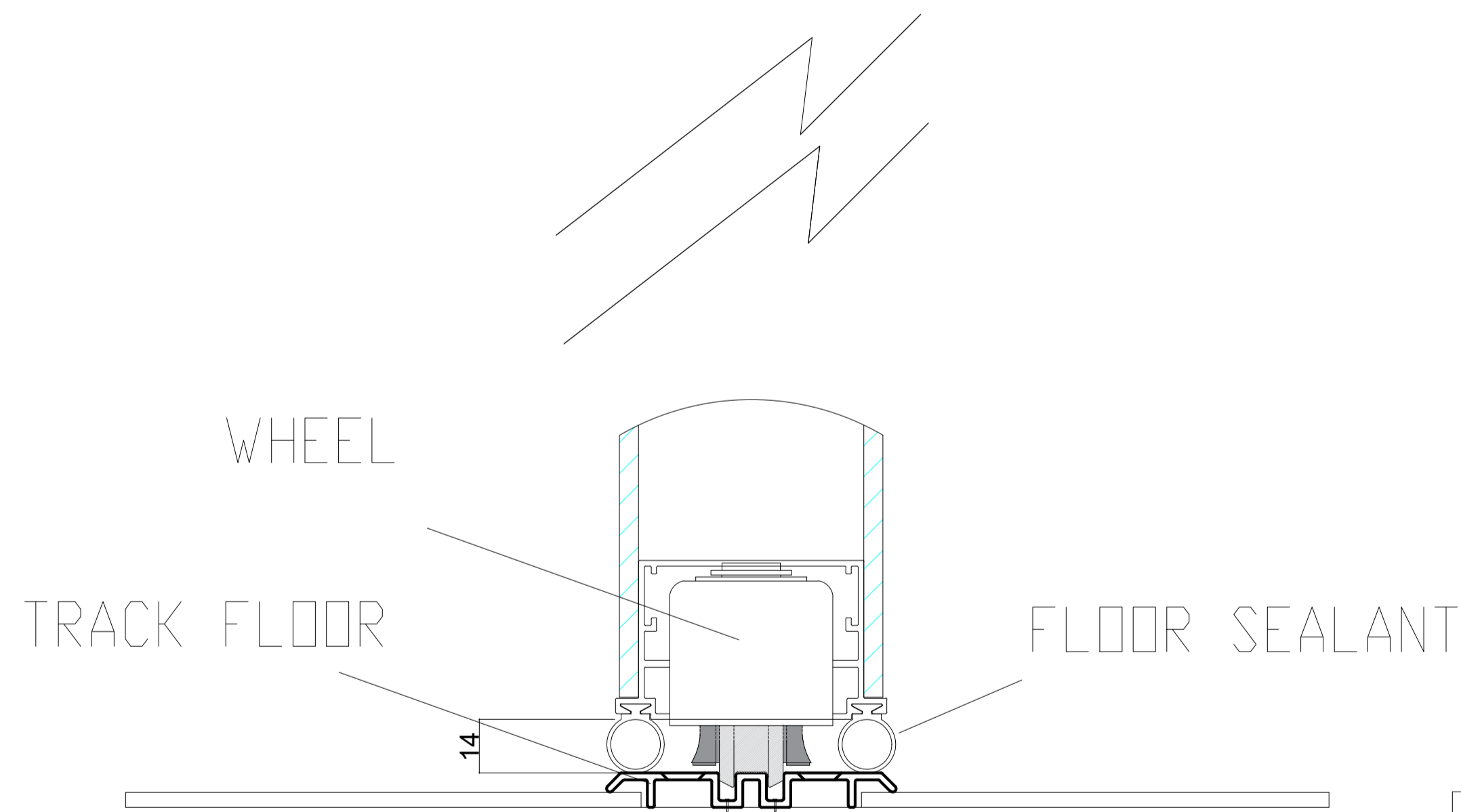


HIDDEN HINGES

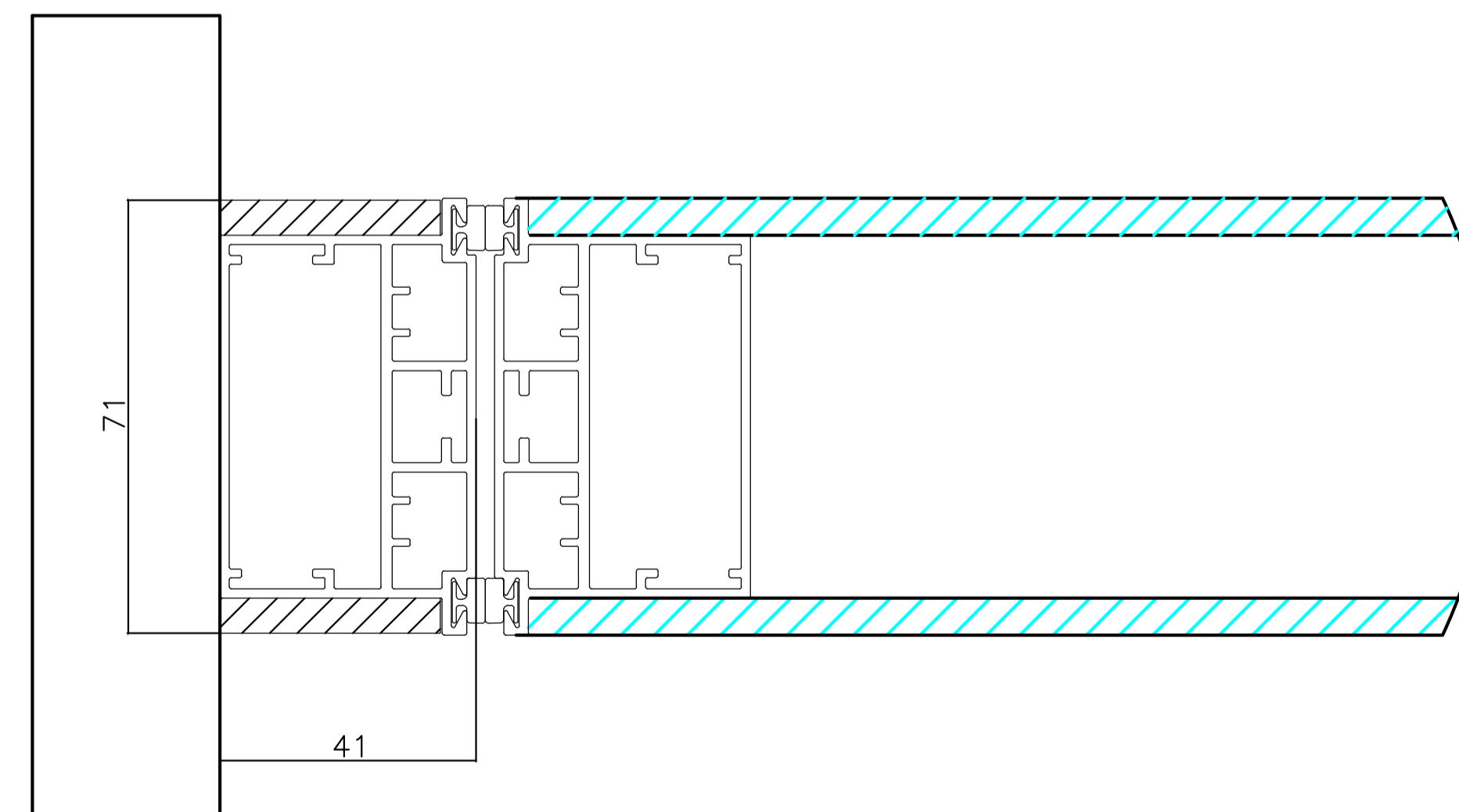
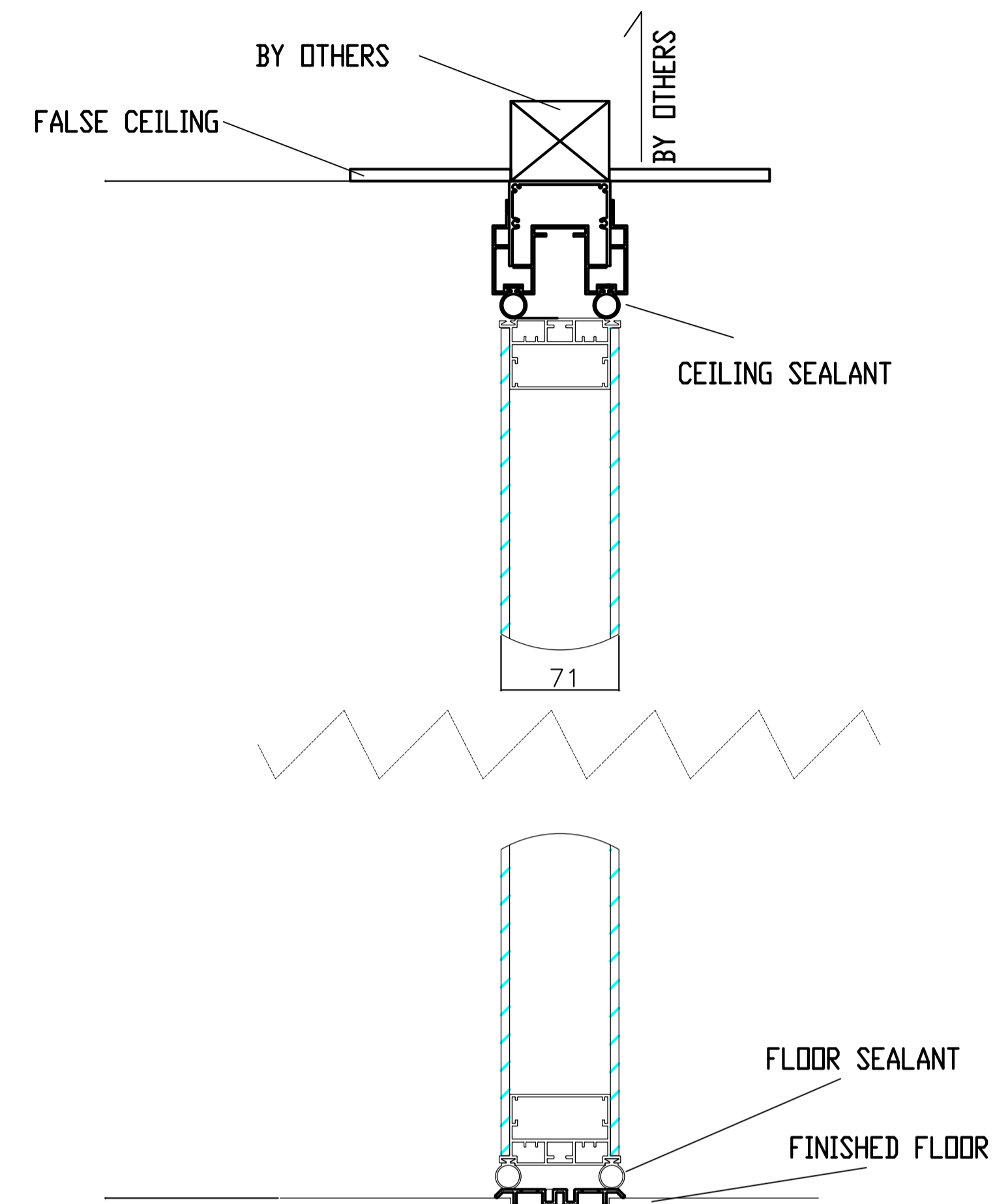
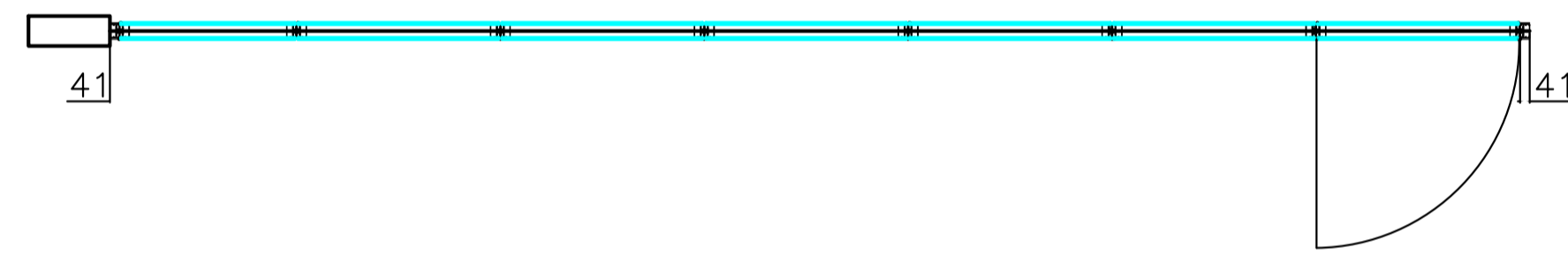
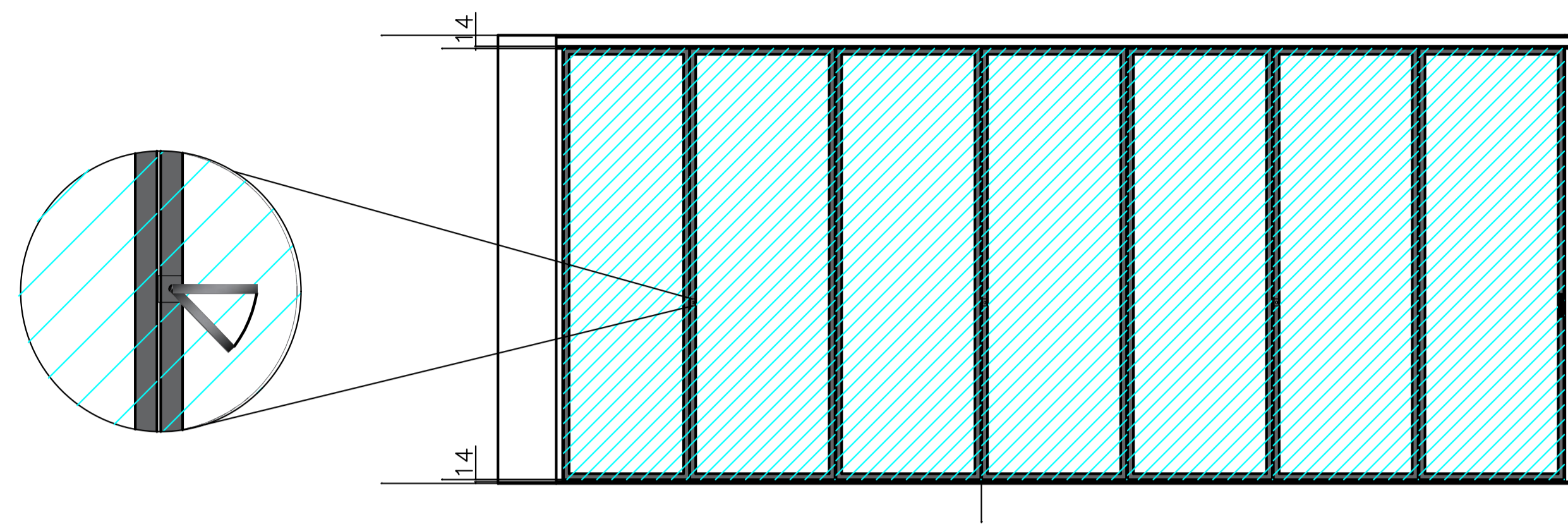
DETAIL A



FINISHED FLOOR



Endfolding - Single Wing



PP20.89 MODERNGLIDE

VERSION 1 DATE: 2020-01-24

DRAWN BY: Aran Meadows

STATUS: LAYOUT APPROVAL



No. SETS: x1

OPERATION:	TYPE:
MANUAL <input checked="" type="checkbox"/>	<input type="checkbox"/> SOLID
SEMI-AUTO <input type="checkbox"/>	<input checked="" type="checkbox"/> GLASS
FULL-AUTO <input type="checkbox"/>	<input type="checkbox"/> MULTI

SUSPENSION:

SINGLE POINT TRACK	<input type="checkbox"/>
TWIN POINT TRACK	<input type="checkbox"/>
FLOOR TRACK	<input checked="" type="checkbox"/>

PANEL UNITS	QT.
STANDARD PANEL	<input type="text" value="2"/>
PANEL W/ MECHANISM GLAZED	<input type="text" value="3"/>
DOOR PANEL GLAZED	<input type="text" value="1"/>
START-UP PANEL GLAZED	<input type="text" value="1"/>
OTHER: SPECIFY	<input type="text"/>
OTHER: SPECIFY	<input type="text"/>

PANEL FINISH: DOUBLE GLASS 6 mm

TRACK FLOOR FINISH: NATURAL ANODIZED

ALUMINIUM PROFILES FINISH: TEXTURED BLACK

HEIGHT - FLOOR TO FALSE CEILING:

WEIGHT:

UNITS:
mm