

MODERNGLIDE

WALLS THAT MOVE





## MG900 FLOOR Supported

Continuous wall interconnected by hidden hinges, with its weight suspended and guided by the floor track.



## MG900 SLIDING DOOR

Sliding door with light and thin structure. Great solution for small spaces.



## MG900 MOVING WALL

Suspended independent twin suspension, without floor track. Manual floor lock/latch system.



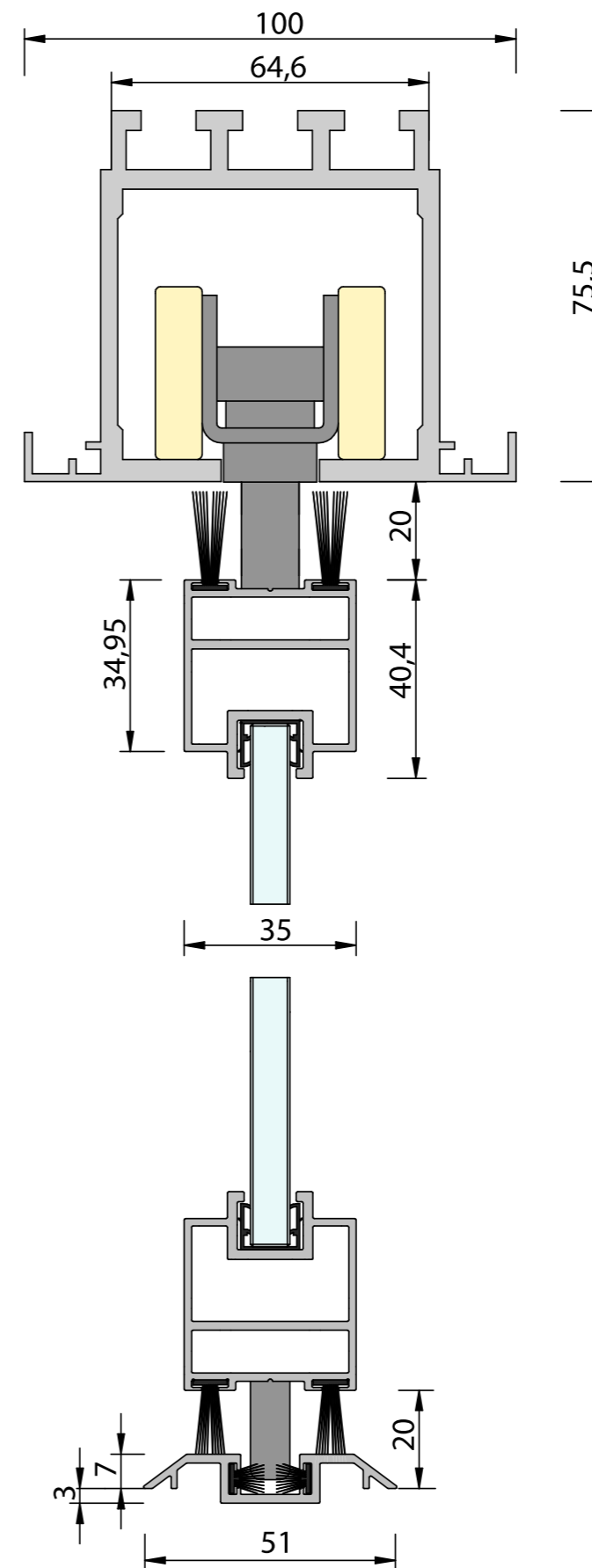
## MG900 PIVOTING Panel

Suspended independent single suspension, without floor track. Manual floor lock/latch system.



**MG900 FLOOR GUIDED**

Characterized by their lightness and fine structure, MG900 FLOOR GUIDED panels are guided by two rails (floor & ceiling) when opening and closing the wall. All the panels are interconnected and have a single suspension point that slides through the upper rail.



## Technical Information

Dimensions	
Thickness (mm)	35
Height (mm)	40

Construction	
Finishes	8 or 10 mm glass
Connecting elements	Aluminum profiles

Operation	
Manual	

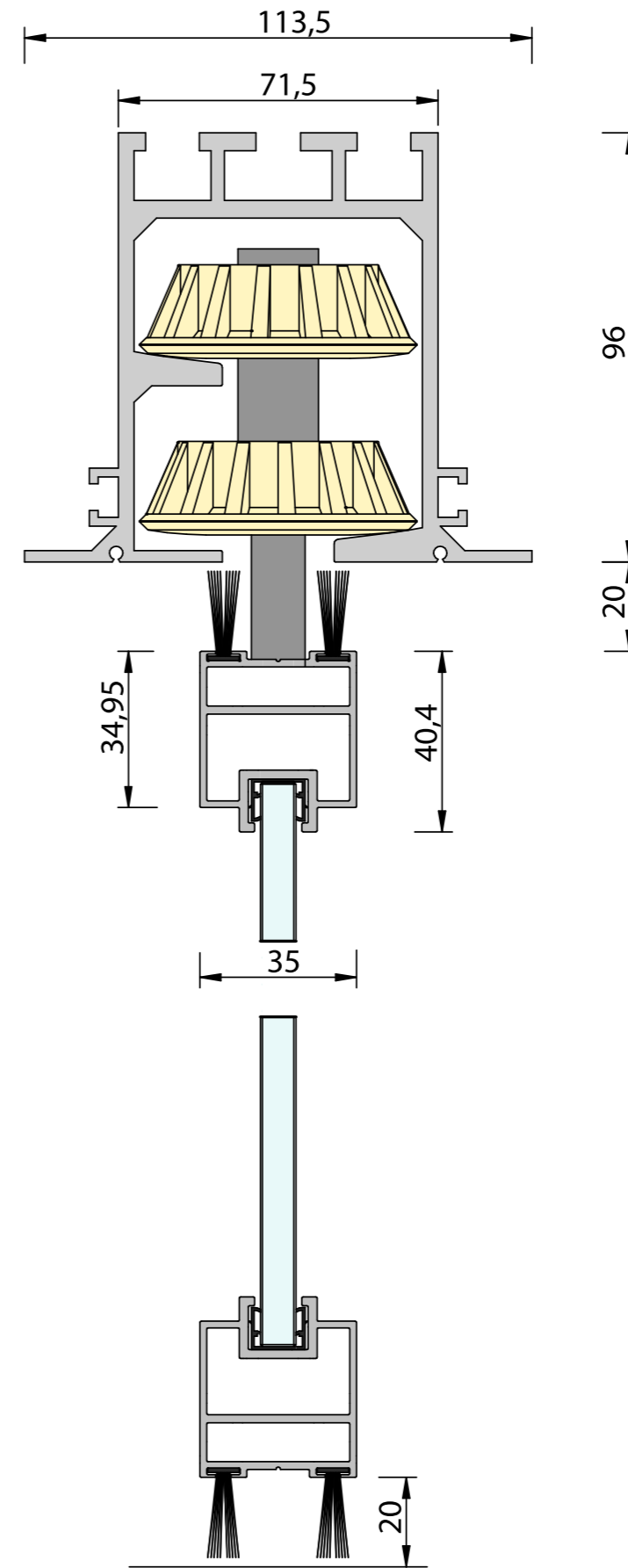
Acoustic Rating dB (RW)	≈ 35
Density kg/m <sup>2</sup>	25 (8mm) - 30 (10mm)
Maximum Wall Height (mm)	3000
Maximum Panel Width (mm)	500-1200
Panel Construction / Frame	Aluminum
Maximum Opening Width	Adjustable

Key-Points	
Suspended weight by the pivot and guided by the lower rail	
Floor locking system	
Port included in the system	
Hidden hinges	



**MG900** Moving WALL

MG900 MOVING WALL is characterized by having independent panels with twin suspension. With no floor track, the panels are oriented by the upper rail. For opening and closing the wall, there is also a manual latch system by panel which only requires a small "cup" on the floor. The lightness and fine structure, eases its mobility.



## Technical Information

Dimensions	
Thickness (mm)	35
Height (mm)	40

Construction	
Finishes	8 or 10 mm glass
Connecting elements	Aluminum profiles

Operation	
Manual	

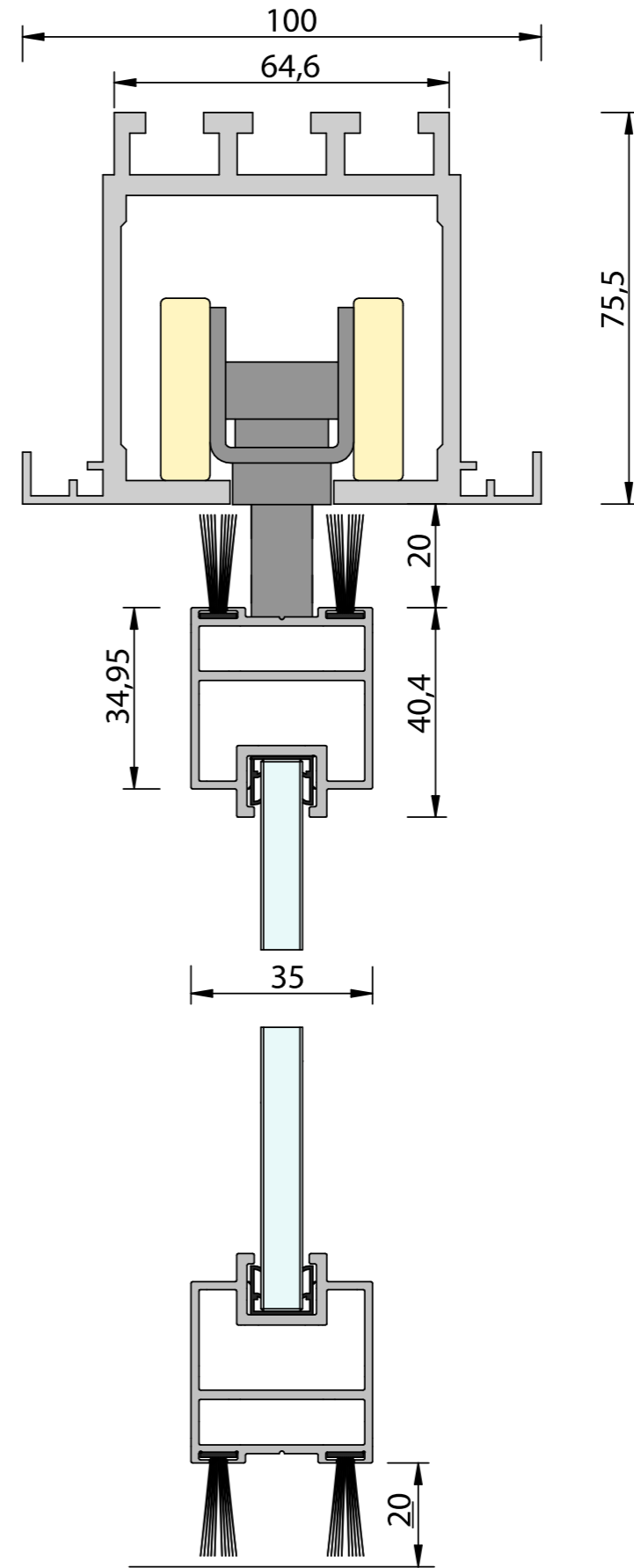
Acoustic Rating dB (RW)	≈ 35
Density kg/m <sup>2</sup>	25 (8mm) - 30 (10mm)
Maximum Wall Height (mm)	3000
Maximum Panel Width (mm)	500-1200
Panel Construction / Frame	Aluminum
Maximum Opening Width	Adjustable

Key-Points	
Independent panels can form different layouts and stacking types	
Floor locking system	
Quick opening	
System includes pass door	
Hidden hinges	



**MG900 SLIDING DOOR**

MG900 SLIDING DOOR comes with all the benefits of moveable wall panels, but incorporated in a door. Great aesthetic and functional solution for greater privacy



## Technical Information

Dimensions	
Thickness (mm)	35
Height (mm)	40

Construction	
Finishes	8 or 10 mm glass
Connecting elements	Aluminum profiles

Operation	
Manual	

Acoustic Rating dB (RW)	≈ 35
Density kg/m <sup>2</sup>	25 (8mm) - 30 (10mm)
Maximum Wall Height (mm)	3000
Maximum Panel Width (mm)	500-1200
Panel Construction / Frame	Aluminum
Maximum Opening Width	Adjustable

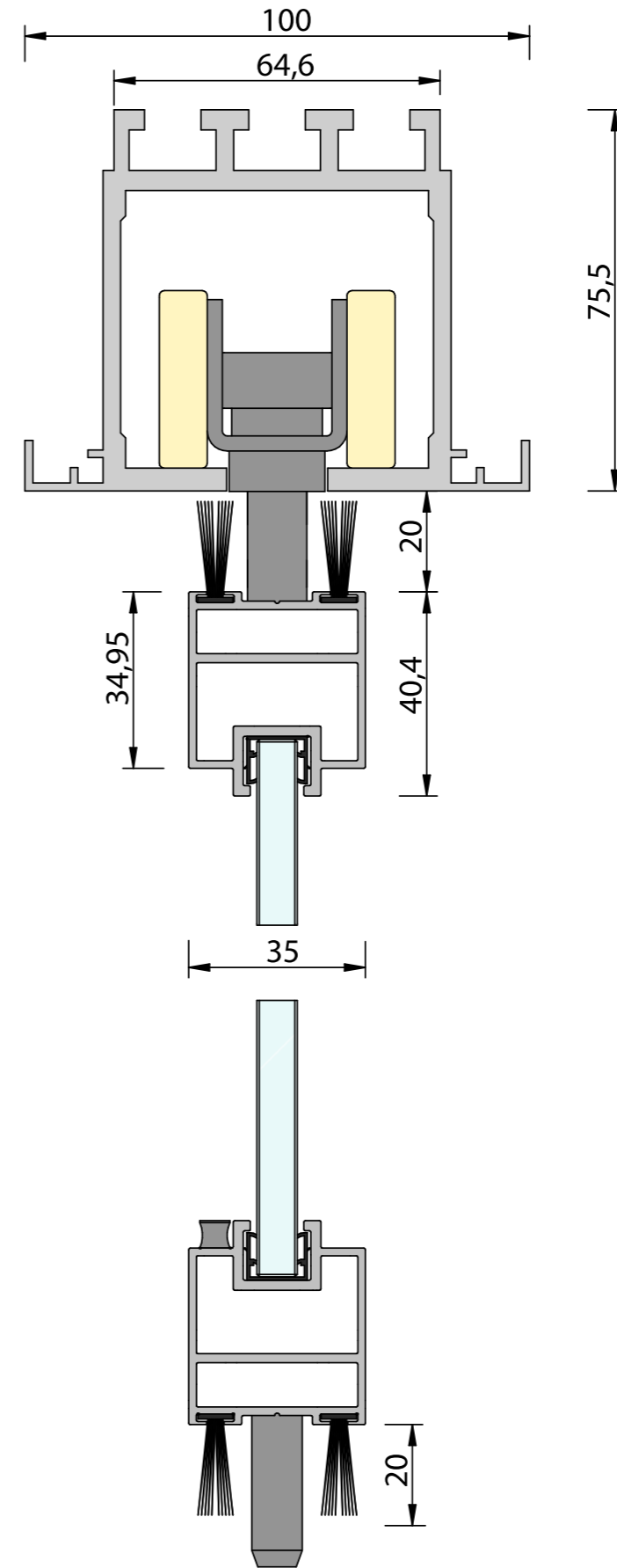
Key-Points	
Sliding door with reduced thickness	
Weight supported by the bottom rail	
High aesthetic level	



# MG900

## PIVOTING Panel

MG900 PIVOTING PANEL is characterized by having single suspension point panels, thus allowing greater adaptability to the space when opened. The panels are oriented and supported by the upper rail, with no need for a floor track. They also have a manual panel latch system in which only a small "cup" on the floor is required.



## Technical Information

Dimensions	
Thickness (mm)	35
Height (mm)	40

Construction	
Finishes	8 or 10 mm glass
Connecting elements	Aluminum profiles

Operation	
Manual	

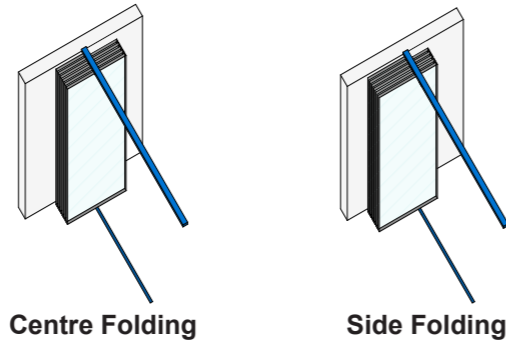
Acoustic Rating dB (RW)	≈ 35
Density kg/m <sup>2</sup>	25 (8mm) - 30 (10mm)
Maximum Wall Height (mm)	3000
Maximum Panel Width (mm)	500-1200
Panel Construction / Frame	Aluminum
Maximum Opening Width	Adjustable

Key-Points	
Independent panels	
Panels parking	
Centre folding	
Pivoting wall with reduced thickness	
High aesthetic level	

# Stacking Systems

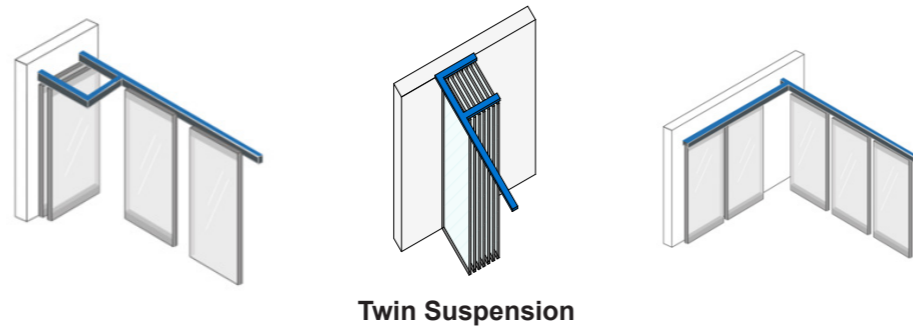
## MG900 - Floor Guided

Celling Track	Monodirectional
Floor Track	Yes



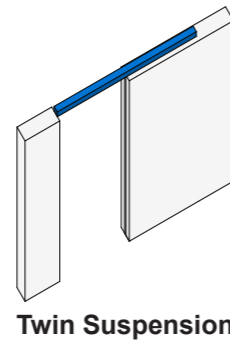
## MG900 - Operable Wall

Celling Track	Multidirectional
Floor Track	No



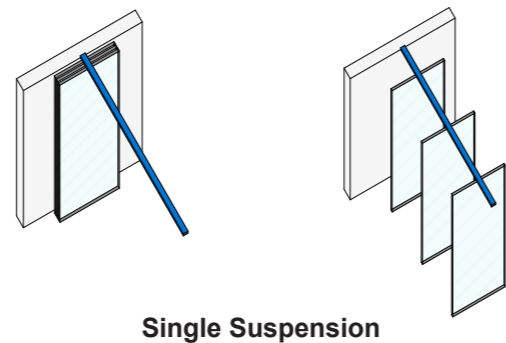
## MG900 - Sliding Door

Celling Track	Monodirectional
Floor Track	No



## MG900 - Pivoting Wall

Celling Track	Monodirectional
Floor Track	No



# Technical Details



MG900 Door

MG900 walls may include a single / double door or, ultimately, a hinged door. The single door is the closure of a continuity of the system and can be double if two walls are in the middle, adding the possibility of having a fixed door on the opposite side of the system starting.



Hidden Hinges

MG900 hinges are hidden. Thus, when the wall is closed, there is no element that contradicts the continuity of the wall. It is one of the highlighted aesthetic points in the development of the wall.



Floor Track

The floor track facilitates the opening and closing of the partition. It is a discreet piece and prepared to be adapted to the floor, with or without finishing.



Floor Locking System

MG900 wall can work suspended on a rail fixed to the ceiling, running free at the bottom with no need for floor guidance. To open and close the partition, a discreet manual locking system was created.

